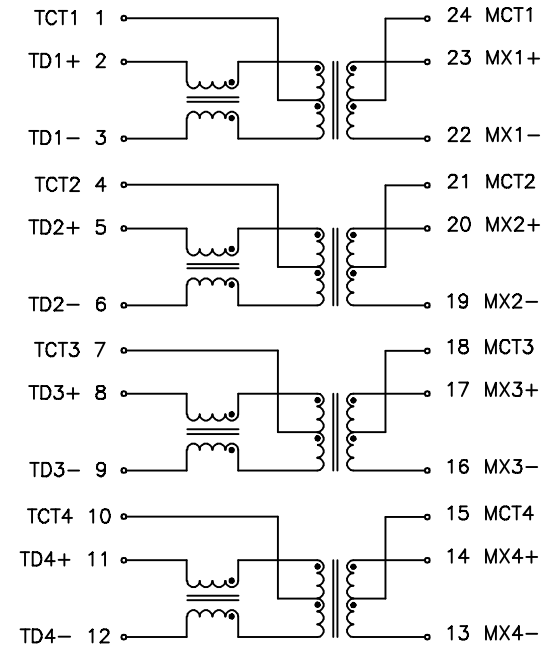


DIMENSION : ±0.25mm



ELECTRICAL CHARACTERISTICS :

1. TURNS RATIO : TX = 1CT : 1CT ± 5%
RX = 1CT : 1CT ± 5%
2. INSERTION LOSS : 1-100MHZ = -1.0dB MAX.
3. CROSS TALK : 30MHz = -45dB MIN.
60MHz = -40dB MIN.
100MHz = -35dB MIN.
4. RETURN LOSS :(@LOAD100 Ω)
1-30MHz= -18dB MIN.
40MHz= -14.4dB MIN.
50MHz= -13.1dB MIN.
60-80MHz = -12dB MIN.
100MHz = -10dB MIN.
5. DCMRR : 30MHz = -43dB MIN.
60MHz = -37dB MIN.
100MHz = -33dB MIN.
6. HI-POT : 1500Vrms
7. RoHS COMPLIANT

						AOEM <small>Atech</small>		TITLE 1000 BASE-T SINGLE PORT TRANSFORMER MODULE	
								DWG. NO. ATPL-428R	
RELEASE						UNITS:		SAFETY	
								SHEET 1 OF 1	
NO:	DESCRIPTION	DATE	BY	CHK	APPD	DATE	P/N:	DRAW	
REVISIONS									